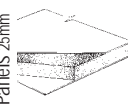
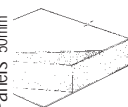
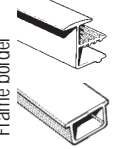
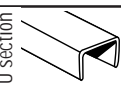
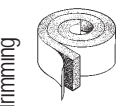


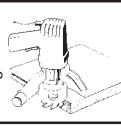

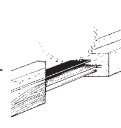
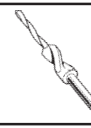
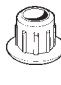


Modulo d'ordine "fai da te" / "Do-it-yourself" order form

	Codice	u.m.	conf.	quant.
	Code	u.of m.	pack.	quant.
Pannelli 25mm Panels 25mm 	16AP25	m ²	3,775	
	16ZP25	m ²	3,775	
	16ZN25	m ²	3,775	
	16ZG25	m ²	3,775	
Pannelli 50mm Panels 50mm 	16ZP50	m ²	3,775	
	16AP50	m ²	3,775	
	16ZN50	m ²	3,775	
	16ZG50	m ²	3,775	
Bordo cornice Frame border 	26BC25 (25 mm)	m	60	
	26BC50 (50 mm)	m	60	
	26TB25 (25 mm)	m	60	
	26TB50 (50 mm)	m	60	
Profilo U U section 	26PR25	m	40	
Guarnizione Trimming 	26GR01	m.	20	
Colla Profiles "Profiles" glue 	21CL08		cad./ea.	1
	21CL09		cad./ea.	1
Altro Other				

	Codice	u.m.	conf.	quant.
	Code	u.of m.	pack.	quant.
Ironcatrice Sect. bar cutt. mach. 	22TN01		cad./ea.	1
Fresatrice Milling machine 	26FR01		cad. / ea.	1
Fresa Milling cutter 	26FR25 (25 mm)		cad./ea.	1
	26FR50 (50 mm)		cad./ea.	1
Dima per taglio Wood. temp. for cut. 	26BD25 (25 mm)		cad./ea.	1
	26BD50 (50 mm)		cad./ea.	1
			(due pezzi/two pcs)	
Doppia punta Doub. ø drill bit 	26PD01		cad./ea.	1
Copriforo Hole cover 	26CF01		cad./ea.	100

Consegnare a / Deliver to:

Via / Street	Città / City
Prov. / County	C.A.P. / Post Code
Tel.	Fax

Fatturare a / Invoice to:

Ditta / Company	Via / Street	
Città / City	Prov. / County	C.A.P. / Post Code
Tel.	Fax	

Banca d'appoggio / Bank details: Vs. n° d'appoggio / CC number:

Condizioni pag. / Payment conditions: Cod. Fiscale:

P.IVA / VAT No. Cod. Cliente / Client Code:

Da consegnare entro / To deliver by: g./day _____ mese/month _____ anno/year _____

Trasporto a cura / Shipping care of: _____

Porto / Delivery: _____